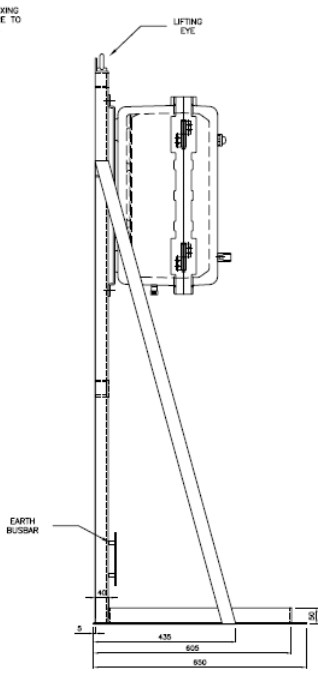
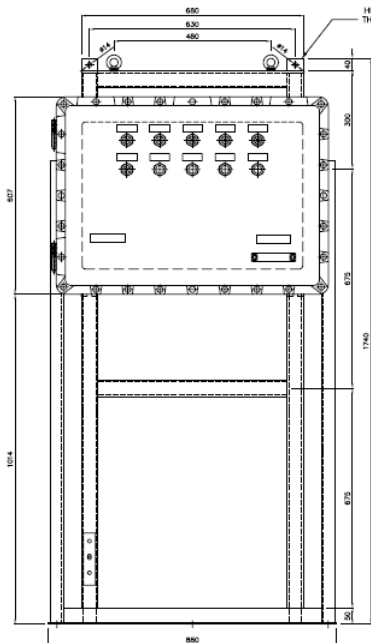
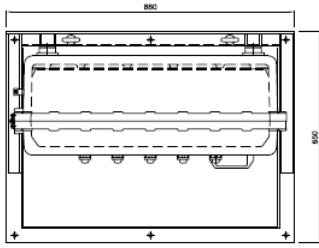




## BOAT LANDING CONTROL PANEL DATA SHEET



FRONT SIDE VIEW



*Pilot lights and push-buttons detail*

### MAIN TECHNICAL DATA

Enclosure data:  
 Type: EJB-13  
 Manufacturer: Technor - Italsmea  
 Material: Copper free aluminium  
 Painting: External Offshore RAL 5017; Internal Anticondensation  
 Execution: Ex-d IIB T6-IP66  
 Ambient temperature: -20°C / +50°C  
 Unitary weight: 120kg

Support structure:  
 Material: AISI 316L S.S. (not painted)  
 Unitary weight: 60kg  
 Total weight: 180kg

**SICE Pesaro (ITALY)**

*Document can be subjected to modifications, without prior notice*