

AIRCRAFT WARNING LIGHTS

**MEDIUM INTENSITY EXPLOSION PROOF
OBSTRUCTION LIGHT
MIOL - AB - Ex / MIOL - AC - Ex**



AWL - MIOL - Ex



AIRCRAFT WARNING LIGHTS

MIOL - AB - Ex / MIOL - AC - Ex

KEY FEATURES

- Based on LED technology
- 20.000cd day mode, WHITE
- 2.000cd night mode, RED
- Long life time >10+ years life expectancy
- Low consumption
- Stabilised light output
- Lightweight and compact
- Low wind load factor
- Alarm/remote status control
- Easy to install
- No RF-radiations
- Light output alignment device
- Stainless Steel Beacon support bracket
- Patented beacon (EU 001929910-0001; Canada 145189; USA D673,474)
- Ex Certificate: INERIS 01ATEX0019x
- ATEX execution: II 2GD Exde IIC T4 Gb

OPTICAL FEATURES

- Cd emission @ -0,5° and +4°
- Horizontal beam radiation 360°
- Vertical beam spread 4°
- PMMA lens

OPTIONS

- Dual AB: white flash on day, red flash on night
- Dual AC: white flash on day, red steady burning on night
- Power supply AC or DC
- GPS (Global Position System) syncro
- Infrared Available

APPLY TO

- Stack - Chimney - Tower crane - Flare
- Offshore platform
- Chemical and Petrochemical plant

ELECTRICAL FEATURES

- Average power consumption for day mode MIOL-AB/AC (@20fpm): 45W
- Average power consumption for night mode MIOL-AB (@20fpm): 10W
- Average power consumption for day mode MIOL-AB/AC (@40fpm): 110W
- Average power consumption for night mode MIOL-AB (@40fpm): 12W
- Average power consumption for day mode MIOL-AB/AC (@60fpm): 160W
- Average power consumption for night mode MIOL-AB (@60fpm): 16W
- Average power consumption for night mode MIOL-AC (steady burning): 50W
- LED feeded at constant current
- Lightning protection

MECHANICAL FEATURES

- RAL7035 painted aluminium body lamp
- Borosilicate glass cover protection
- Degree of protection: IP65
- Operating temp. range: -52°C to +60°C
- Storage temp. range: -45°C to +55°C
- Lamp unit weight: 16kg

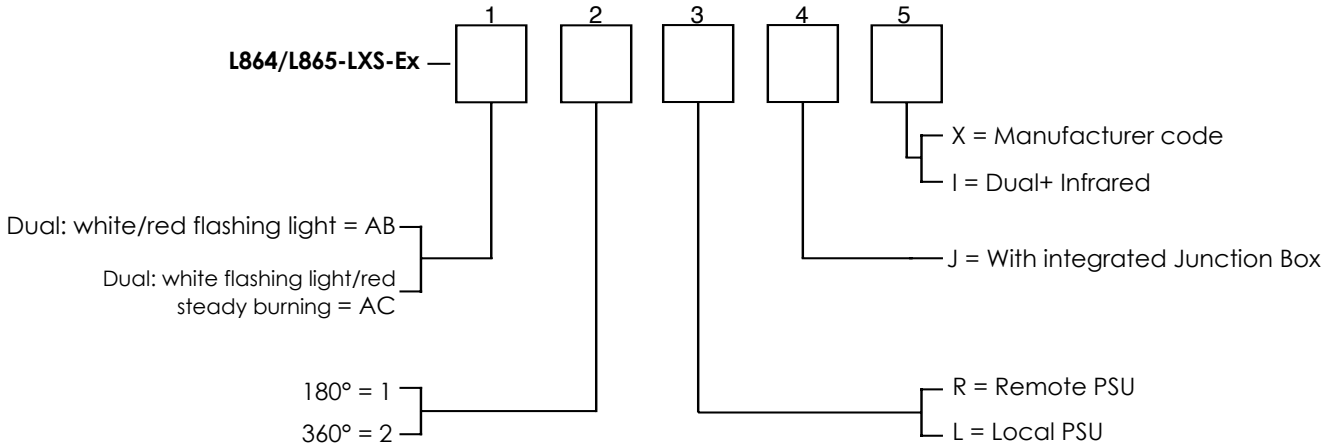
INTERNATIONAL REGULATION

- ICAO Aerodromes - Annex 14 Volume 1, 6th Edition, July 2013 Chapter 6: Medium intensity, Type B flashing obstacle light MIOL-AB type, Type AC flashing/steady burning obstacle light MIOL-AC Type
- FAA AC150/5345-43F E.B. #67 Lamp type Dual L-864/L-865
- DGAC/STAC approval nr. 2013A037/2013A038
- CE marking
- ATEX

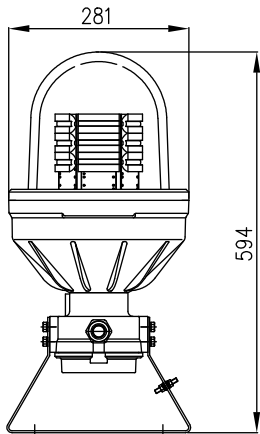
AIRCRAFT WARNING LIGHTS

MIOL - AB - Ex / MIOL - AC - Ex

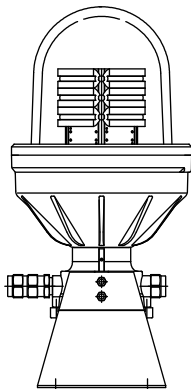
Order code



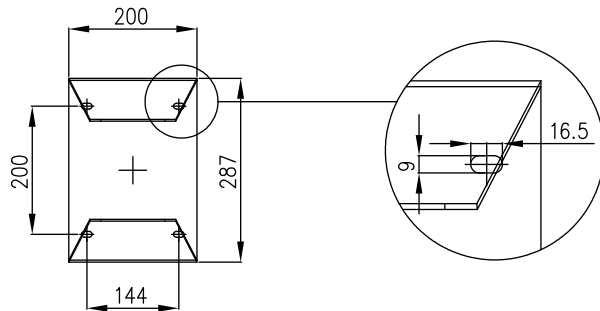
BEACON FRONT VIEW



BEACON SIDE VIEW

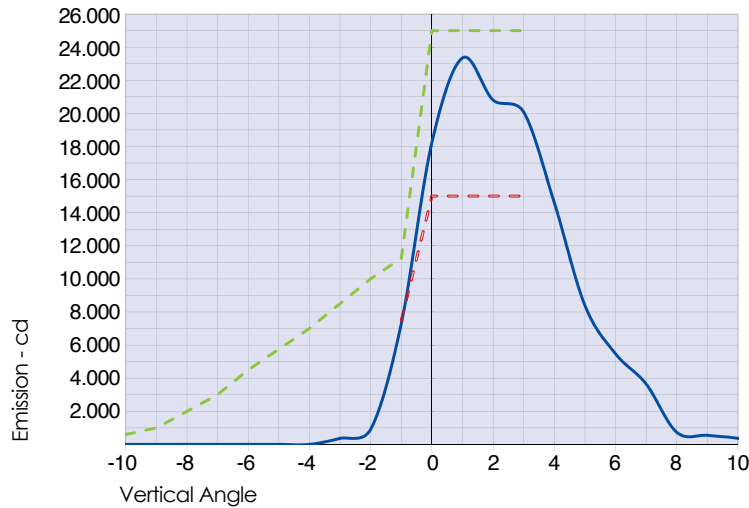


FIXING DETAILS



AIRCRAFT WARNING LIGHTS

MIOL - AB - Ex / MIOL - AC - Ex



- L865-LXS-A average emission level at 90°C ambient temperature
- ICAO ANNEX 14 medium intensity type A Minimum Required Intensity
- ICAO ANNEX 14 medium intensity type A Maximum Required Intensity

AWL - MIOL - EX

CERTIFICATIONS



FEATURES

BASE 	DOME 						DAY 	NIGHT 	
DAY 	NIGHT 	DAY 	NIGHT 	DAY 	NIGHT 				
		20 FPM		40 FPM		60 FPM			

TYPICAL APPLICATION

