

# AIRCRAFT WARNING LIGHTS

## LOW INTENSITY EXPLOSION PROOF OBSTRUCTION LIGHT LIOL - A - Ex / LIOL - B - Ex



AWL - LIOL - Ex



# AIRCRAFT WARNING LIGHTS

## LIOL - A - Ex / LIOL - B - Ex

### KEY FEATURES

- Based on LED technology
- RED steady burning light
- >10 cd LIOL - A
- >32 cd LIOL - B
- Long life time >10+ years life expectancy
- Low consumption Stabilised light output
- Lightweight and compact
- Low wind load factor
- Easy to install
- No RF-radiations
- Patented beacon (EU 001929910-0001; Canada 145189; USA D673,474)
- Ex Certificate: CESI 13ATEX037

### OPTICAL FEATURES

- Cd emission +6° and +10°
- Horizontal beam radiation 360°
- Vertical beam spread >10°
- Optical reflector

### OPTIONS

- Twin version: two galvanically separate circuits
- Fault alarm
- Infrared available
- Automatic changeover from normal to backup light

### ELECTRICAL FEATURES

- Power Supply AC or DC
- Power consumption LIOL-B: 4W
- LED feeded at constant current

### MECHANICAL FEATURES

- Painted RAL 7035 aluminium body
- Borosilicate Glass Dome
- Degree of protection: IP66
- Operating temperature: -50°C to +55°C
- Storage temperature: -50°C to +55°C
- Lamp unit weight: 6kg

### APPLY TO

- Stack - Chimney - Tower crane - Flare
- Offshore Platform
- Chemical and Petrochemical Plant

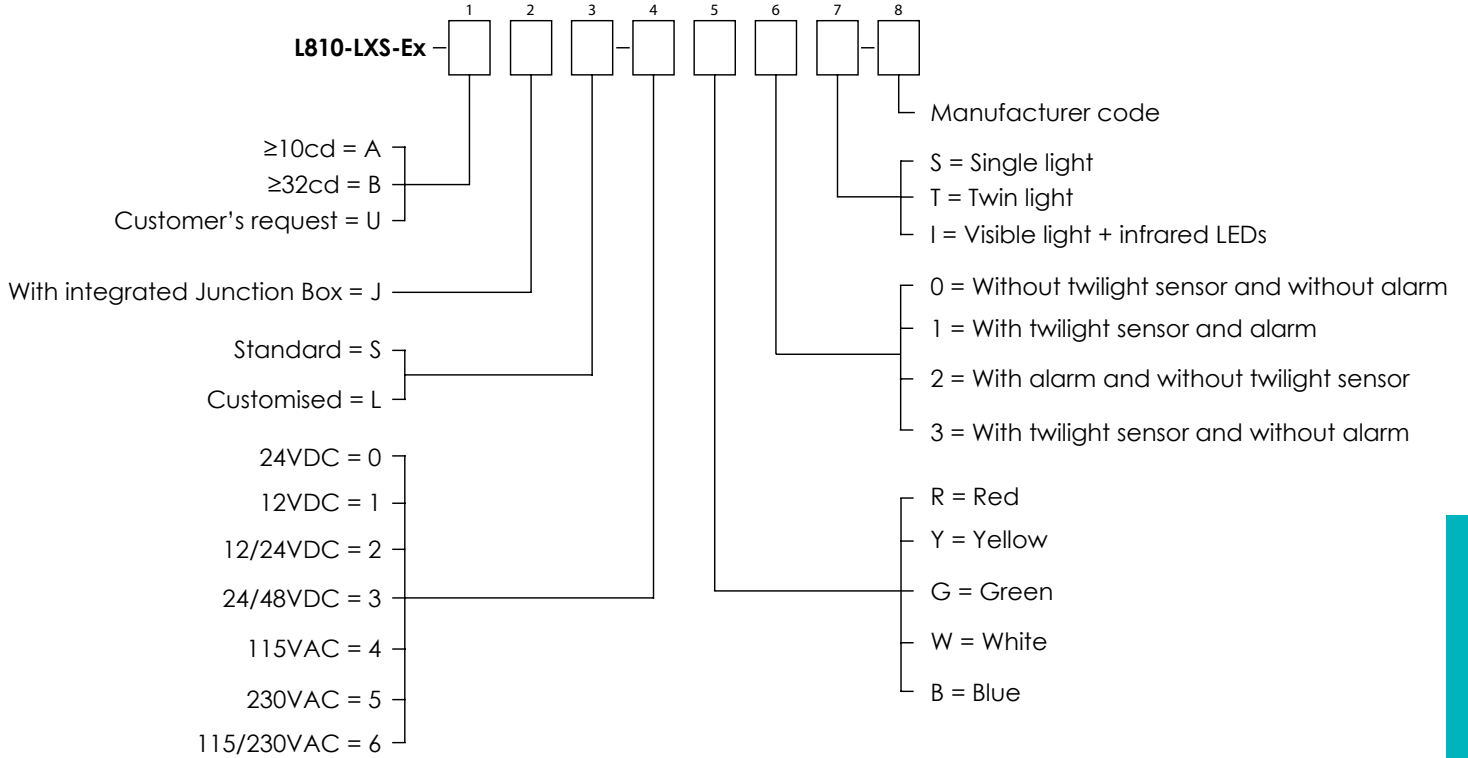
### INTERNATIONAL REGULATION

- ICAO Aerodromes -Annex 14 Volume 1, 6<sup>th</sup> Edition, July 2013 Chapter 6: Low intensity, Type A-B steady burning obstacle light
- FAA AC150/5345-43F E.B. #67 Lamp type L-810
- DGAC/STAC approval nr. 2013A048
- CE marking
- ATEX

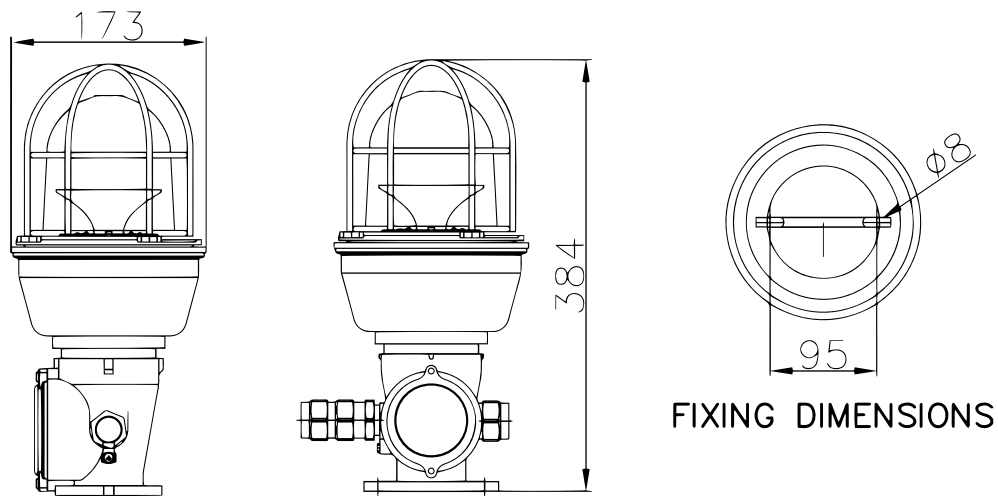
# AIRCRAFT WARNING LIGHTS

## LIOL - A - Ex / LIOL - B - Ex

### Order code

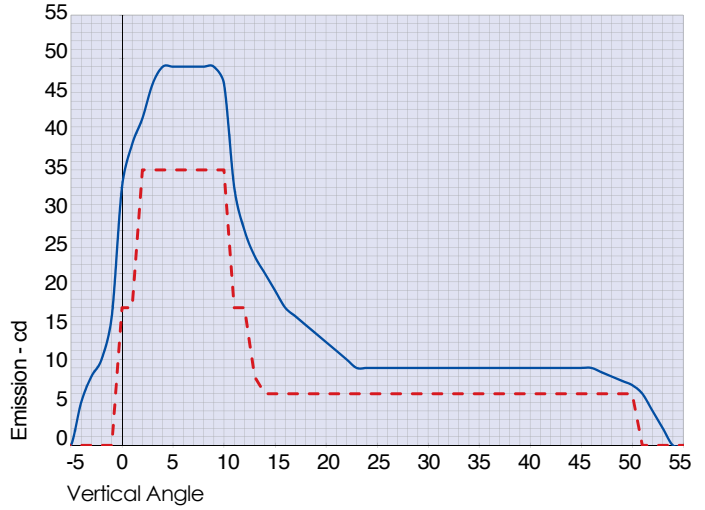
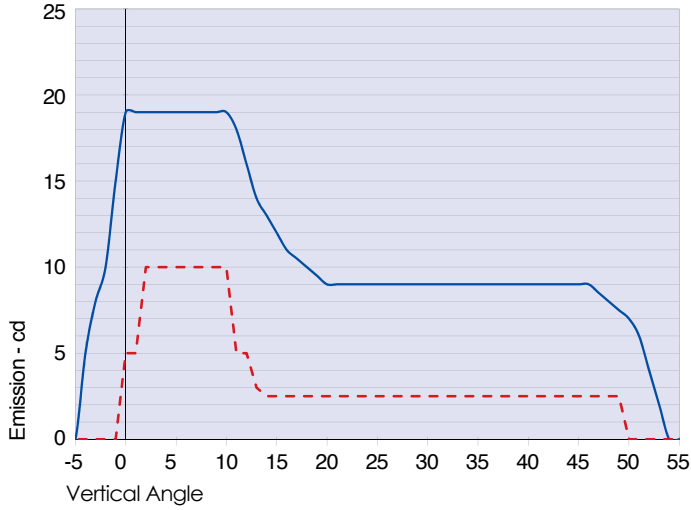


AWL - LIOL - Ex



# AIRCRAFT WARNING LIGHTS

## LIOL - A - Ex / LIOL - B - Ex



— L810-LXS-A average emission level  
 - - ICAO ANNEX 14 low intensity type A Minimum Required Intensity

— L810-LXS-B average emission level  
 - - ICAO ANNEX 14 low intensity type B Minimum Required Intensity

AWL - LIOL - EX

### CERTIFICATIONS



### FEATURES



### TYPICAL APPLICATION

